

#	Structure Details
100	2' x 3' CATCH BASIN R3067-C, TYPE C GRATE RIM = 871.75 Pipe-101 = 869.50 Pipe-100 = 869.50
100A	2' x 3' CATCH BASIN R3067-C, TYPE L GRATE RIM = 871.75 Pipe-100A = 869.75
102	CATCH BASIN (3' DIA) RIM = 876.50 Pipe-102 = 874.13
200	OUTLET CONTROL STRUCTURE (SEE DETAIL) RIM = 868.60 Pipe-200 = 866.00
204	2' x 3' CATCH BASIN R3067-C, TYPE L GRATE RIM = 869.50 Pipe-204 = 866.54 Pipe-205 = 866.54

Pipe Name	Size	Material	Length	Slope	Description
Pipe-100	12	RCP	19	1.31%	W/ FLARED END SECTION
Pipe-100A	12	RCP	87	0.57%	
Pipe-101	12	RCP	43	1.18%	W/ FLARED END SECTION
Pipe-102	12	RCP	66	0.50%	W/ FLARED END SECTION
Pipe-200	12	RCP	60	7.29%	W/ F.E.S.
Pipe-202	15	RCP	64	1.00%	W/ FLARED END SECTION BOTH ENDS
Pipe-203	24	RCP	57	1.62%	EXTEND EXISTING PIPE
Pipe-204	12	RCP	18	1.64%	
Pipe-205	12	RCP	33	1.40%	

- ### GENERAL NOTES AND SPECIFICATIONS
- THE EXISTING SITE INFORMATION ON THIS PLAN WAS TAKEN FROM A SITE SURVEY PROVIDED BY GOSNUL TARRANTS, INC. THE ENGINEER MAKES NO WARRANTY OR REPRESENTATION WITH REFERENCE TO THE ACCURACY AND COMPLETENESS OF THE EXISTING CONDITIONS INDICATED OR NOT INDICATED ON THE ENGINEERING PLANS PROVIDED. THE CONTRACTOR SHALL VERIFY THE LOCATION OF ALL EXISTING SITE CONDITIONS INCLUDING UNDERGROUND UTILITIES, UNDERGROUND UTILITY ELEVATIONS, BUILDING SETBACKS AND EXISTING BUILDING LOCATIONS. THE CONTRACTOR SHALL INFORM THE OWNER AND ENGINEER OF ANY DISCREPANCIES PRIOR TO COMMENCING WITH WORK. QUESTIONS REGARDING THE EXISTING SURVEY SHALL BE DIRECTED TO THE PARTIES LISTED ABOVE.
 - BEFORE PROCEEDING WITH ANY UTILITY CONSTRUCTION, CONTRACTOR SHALL EXCAVATE EACH EXISTING LATERAL TO BE CONNECTED TO VERIFYING ELEVATION, LOCATION AND SIZE. SHOULD THE EXISTING UTILITY NOT BE AS INDICATED ON THE PLAN, THE ENGINEER SHALL BE NOTIFIED IMMEDIATELY FOR EVALUATION.
 - ALL UTILITY CONSTRUCTION SHALL ADHERE TO THE STANDARD SPECIFICATIONS FOR SEWER AND WATER CONSTRUCTION IN WISCONSIN (2003), AS WELL AS, THE VILLAGE OF MEMONEE FALLS CONSTRUCTION STANDARDS AND THE DEPT. OF SAFETY AND PROFESSIONAL SERVICES SEC. 382-387.
 - ALL UTILITY PERMITS SHALL BE RECEIVED FROM THE VILLAGE OF MEMONEE FALLS PRIOR TO THE START OF CONSTRUCTION.
 - NOTIFY THE PUBLIC WORKS INSPECTION DEPT. AT LEAST 48 HOURS BEFORE STARTING CONSTRUCTION.
 - BACKFILL REQUIREMENTS AND ROADWAY/SIDEWALK RESTORATION SHALL ADHERE TO LOCAL STANDARDS (GRANULAR BACKFILL UNDER OR WITHIN 5' OF CURBS, SIDEWALK, OR PAVEMENT. SPOIL MAY BE USED ELSEWHERE. SLURRY BACKFILL SHALL BE REQUIRED IN PUBLIC ROADWAYS.)
 - ALL BUILDING UTILITIES SHALL BE VERIFIED WITH THE ARCHITECTURAL PLANS PRIOR TO CONSTRUCTION.
 - ALL PROPOSED WATERMAIN SHALL BE PVC SDR 18, CLASS 150, AWWA C900 WITH ELASTOMERIC JOINTS. (SDR 14 FOR FIRE SERVICE)
 - PROPOSED SANITARY SEWER PIPE SHALL BE PVC, ASTM D-3034, SDR 35 WITH RUBBER GASKETED JOINTS CONFORMING TO ASTM D-3212.
 - PROPOSED STORM SEWER SHALL BE PVC, ASTM D-3034, SDR 35 WITH RUBBER ELASTOMERIC JOINTS CONFORMING TO ASTM D-3212 (UNLESS OTHERWISE NOTED).
 - UTILITY TRENCHES SHALL BE MECHANICALLY COMPACTED IN ACCORDANCE WITH THE STANDARD SPECIFICATIONS FOR SEWER AND WATER CONSTRUCTION IN WISCONSIN.
 - SLT FENCE AND ALL OTHER EROSION CONTROL METHODS SHALL BE INSTALLED PRIOR TO COMMENCEMENT OF CONSTRUCTION. ALSO, CONTRACTOR IS RESPONSIBLE FOR REMOVING EROSION CONTROL METHODS ONCE THE SITE IS STABILIZED.
 - THE PROPOSED SITE LOCATION AND SURROUNDING STREETS SHALL BE KEPT DEBRIS FREE. SWEEP STREETS AS NEEDED TO MAINTAIN CLEAN STREETS.
 - ALL EXCAVATED OR STRIPPED MATERIALS NOT BEING REPLACED IN UTILITY TRENCHES OR BEING USED FOR FILL SHALL BE REMOVED FROM THE SITE, UNLESS OTHERWISE DIRECTED BY THE OWNER.
 - ALL DISTURBED GRASS AREAS SHALL BE STABILIZED (PER DNR TECHNICAL STANDARDS) WITHIN 7 DAYS OF COMPLETION. DISTURBED GRASS AREAS SHALL BE TOPSOILED (6"), RESEEDED AND STABILIZED. AREAS WITH A SLOPE OF 3H:1V OR STEEPER SHALL BE COVERED WITH A CLASS 1 - TYPE A EROSION FABRIC. (SEE SPECIFICATIONS)
 - SEE ARCHITECTURAL PLANS FOR EXACT BUILDING & FOUNDATION DETAILS AND ORIENTATION.
 - ALL ON-SITE CONCRETE CURB AND GUTTER SHALL BE 18" WIDE VERTICAL FACE, UNLESS OTHERWISE NOTED. REVERSE OR REGULAR STYLE CURB DENOTED ON PLANS.
 - ALL CURB ELEVATIONS ARE EDGE OF PAVEMENT UNLESS OTHERWISE NOTED. SEE CURB DETAIL FOR TOP OF CURB ELEVATIONS.
 - ALL CURB RADII ARE MEASURED TO THE FACE OF CURB UNLESS OTHERWISE NOTED.
 - CONTRACTOR SHALL MATCH PROPOSED CONCRETE CURB AND GUTTER, SIDEWALK AND PAVEMENT TO EXISTING IN ELEVATION AND ALIGNMENT.
 - REMOVAL OF CURB AND GUTTER, SIDEWALK AND PAVEMENT SHALL BE IN ACCORDANCE WITH THE STANDARD SPECIFICATIONS OF THE WISCONSIN D.O.T.
 - ALL CONCRETE FOR CURB AND GUTTER, ROADWAY AND SIDEWALKS SHALL CONFORM TO THE STANDARD SPECIFICATIONS FOR READY MIXED CONCRETE. MINIMUM 28 DAY COMPRESSIVE STRENGTH TEST SHALL EQUAL 4000 PSI.
 - CONTRACTOR SHALL BE RESPONSIBLE FOR PROTECTING ALL PROPERTY CORNERS.
 - CONTRACTOR SHALL BE RESPONSIBLE FOR REPAIRING ANY DAMAGE TO EXISTING UTILITIES OR SITE IMPROVEMENTS. CONTRACTOR SHALL DOCUMENT ALL EXISTING DAMAGE PRIOR TO START OF CONSTRUCTION AND NOTIFY CONSTRUCTION MANAGER OF ANY FINDINGS.
 - PROJECT SAFETY ON-SITE SHALL BE THE SOLE RESPONSIBILITY OF THE CONTRACTOR.
 - CONTRACTOR SHALL BE RESPONSIBLE FOR VERIFYING EXISTING SOIL CONDITIONS, CONSTRUCTION MANAGER MAY HAVE SOILS REPORT FOR MORE INFO.
 - CONTRACTOR SHALL BE RESPONSIBLE FOR PROVIDING THE OWNER WITH A SET OF MARKED UP PLANS (AS-BUILTS) SHOWING ANY CHANGES DURING CONSTRUCTION.
 - DIGGERS HOTLINE SHALL BE NOTIFIED (3) DAYS IN ADVANCE OF COMMENCING EXCAVATION TO LOCATION UTILITIES.

SYMBOL	DESCRIPTION
W	EXISTING WATER MAIN
W	PROPOSED WATER SERVICE
E	EXISTING ELECTRICAL LINE
E	PROPOSED ELECTRICAL LINE
GAS	EXISTING GAS MAIN
GAS	PROPOSED GAS MAIN
SAN	EXISTING SANITARY SEWER
SAN	PROPOSED SANITARY SEWER
ST	EXISTING STORM SEWER
ST	PROPOSED STORM SEWER
OHW	OVERHEAD WIRES
OHW	EXISTING POWER POLES
OHW	EXISTING LIGHT POLES
OHW	SANITARY MANHOLE
OHW	FIRE HYDRANT
OHW	EXISTING WATER VALVE
OHW	PROPOSED WATER VALVE
OHW	EXISTING STORM STRUCTURE
OHW	PROPOSED STORM STRUCTURE
OHW	DENOTES EMERGENCY OVERFLOW ROUTE / DRAINAGE PATH
OHW	PROPOSED & EXISTING SPOT GRADE

DIGGER'S HOTLINE
CALL BEFORE YOU DIG
1-800-242-8911

IN ACCORDANCE WITH WISCONSIN STATUTE 182.0175, DAMAGE TO TRANSMISSION FACILITIES, EXCAVATOR SHALL BE SOLELY RESPONSIBLE TO PROVIDE ADVANCE NOTICE TO THE DESIGNATED "ONE CALL SYSTEM" NOT LESS THAN THREE WORKING DAYS PRIOR TO COMMENCEMENT OF ANY EXCAVATION REQUIRED TO PERFORM WORK CONTAINED ON THESE DRAWINGS, AND FURTHER, EXCAVATOR SHALL COMPLY WITH ALL OTHER REQUIREMENTS OF THIS STATUTE RELATIVE TO EXCAVATOR'S WORK.

NOTE: THE STORM SEWER AND STORMWATER MANAGEMENT FOR THIS SITE WAS REVISED AND RE-AUTHORED BY THE VILLAGE OF MEMONEE FALLS ENGINEERING DEPT. HARWOOD ENGINEERING REMOVES ALL DESIGN LIABILITY FROM THOSE PORTIONS OF THE PROJECT.

NOTE: ALL RCP PIPE SHALL BE CLASS IV MINIMUM.

FIRE STATION NO. 1

THE ARCHITECTURAL WORKSHOP, LLC
1611110 Meadow Drive
German town, WI 53022
© THE ARCHITECTURAL WORKSHOP, LLC 2014

VILLAGE OF MEMONEE FALLS
MEMONEE FALLS, WISCONSIN

GRADING PLAN

Scale: 1" = 30'

SHEET NUMBER
C2.1

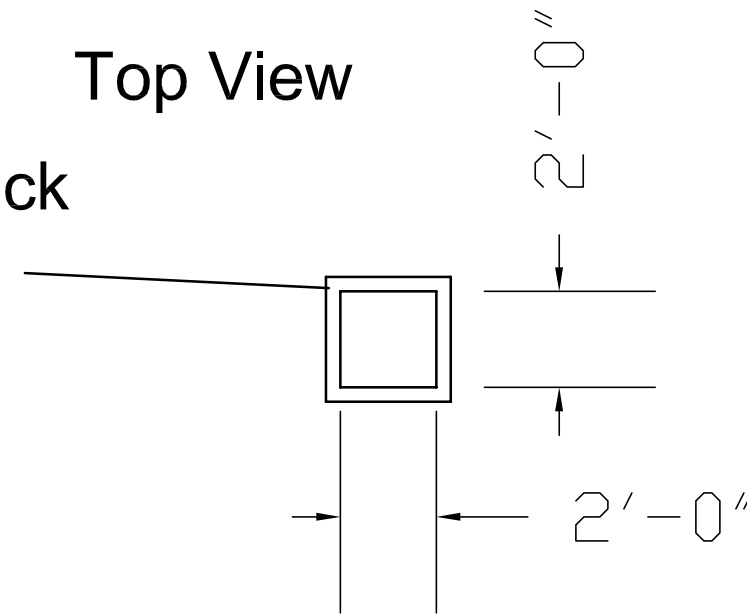
DATE: 08-01-14
NO. 101-13-14

Pond Outfall Detail

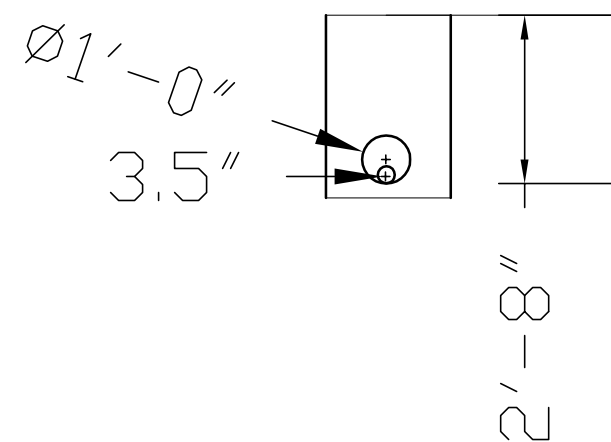
Reinforced
Concrete Riser &
Pipe

Galvanized Trash Rack
1/4" Wire Mesh
4"x4" Opening

Top View



Side View



Rim Elevation
868.6

Elevation 866

NOT TO SCALE