



Village of Menomonee Falls
 W156 N8480 Pilgrim Road
 Menomonee Falls, WI 53051-3140
 Telephone: (262) 532-4200

STORMWATER MANAGEMENT FACILITIES OPERATION AND INSPECTION REPORT

Quarter Section NW 1/4 Sec Name of Business/Subdivision Pilgrim Glen Condominium Plat
 Property Tax ID Number 23-8-20 Addendum No. 2
0090-996-168
 thru
0090-996-197 Address of Property Tartan Circle
 Date 7/8/2015

Dry Pond	
Wet Pond	X
Other	

Location of Pond SE Quadrant of Property
 Pond ID: SWP23N004

Year Pond Constructed 2008 Year of Last Certification 2010

Compliance Verification	Design	Actual	Compliant		Comments (Condition of Structure)
			Yes	No	
Primary Outlet Pipe			Outlet Pipe Material		
Opening Diameter (inches)	12"	12"			Reinforced Concrete Pipe
Upstream Invert	823.00	823.03			
Downstream Invert	822.55	822.33			
Length (feet)	45.0'	51.0'			
Slope (%)	0.010 '/'	0.014 '/'			
Secondary Outlet Pipe			Outlet Pipe Material		
(If Applicable)					
Opening Diameter (inches)	_____	_____			
Upstream Invert	_____	_____			
Downstream Invert	_____	_____			
Length (feet)	_____	_____			
Slope (%)	_____	_____			
Riser			Riser Material		
(If Applicable)					
Opening Diameter (inches)	_____	_____			
Elevation	_____	_____			
Upper Discharge Control			Upper Discharge Control Material		
(If Applicable)					
Opening Diameter (inches)	_____	_____			
Elevation	_____	_____			

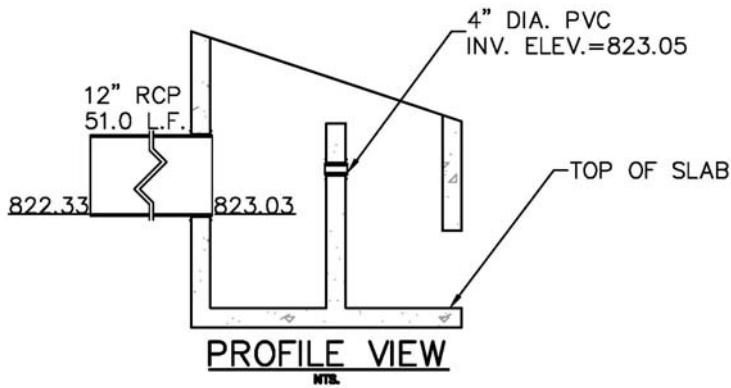
Compliance Verification	Design	Actual	Compliant Yes No		Comments	
Lower Discharge Control	(If Applicable)					
Opening Diameter (inches)	_____	_____				
Elevation	_____	_____				
Other (Description)						
Opening Type and Size (inches)	4" DIA.	4" DIA.			Vertical Orifice	
Elevation	823.00	823.05				
Emergency Spillway						
Elevation	827.50	827.60				
Length of spillway (feet)	20.0'	21.8'				
Embankment	Present Yes no		Comments/Maintenance Requirements			
Unauthorized Plantings, trees, or woody vegetation			Some vegetative growth around and inside outlet structure. Recommend clearing for full function.			
Animal burrows or slope erosion						
Storm Sewer Outfalls	Type & Size		Location		Comments	
Outfall 1	RCP 15"		North Portion of Pond			
Outfall 2						
Outfall 3						
Storage Properties	Design	Actual	Compliant Yes No		Not Applicable	Equipment Used
Normal Water Elevation (Wet Ponds)	823.00	823.05				Trimble R6 GPS
Design High Water Elevation	827.58	827.87				
Area at Normal Water Elevation (Ac) (Wet Ponds)	0.330	0.333				Area at HWL Calculated by HydroCAD
Area at Design High Water Elevation (Ac)	0.628	0.603				
Active Storage Available (Ac-Ft)*	2.150	2.074				Lowest Bottom Elevation
Lowest Elevation at Top of Embankment (If Applicable)	828.50	827.58				
Average Elevation at Top of Embankment (If Applicable)	828.50	831.25				
Maximum Bottom Elevation	818.00	817.23				
Average Pond Bottom Elevation	818.00	818.00				
Pond Bottom Area (Ac)	0.112	0.078				
Maximum Pond Depth	5.0'	5.9'				
Average Pond Depth	5.0'	5.2'				
Average Permanent Pool Depth (Wet Ponds)	5.0'	5.2'				

*To Determine Active Storage $V=H/3(A1+A2+(A1 \times A2)^{1/2})$

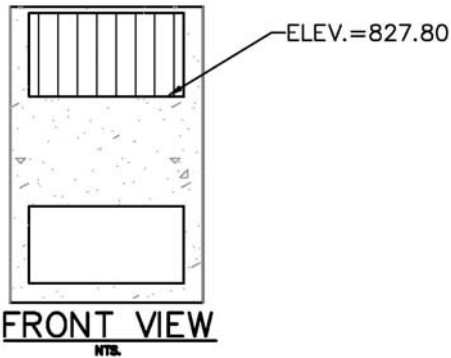
Wet Ponds Use $H = \text{Height of Section}$, $A1 = \text{area at normal water elevation}$, $A2 = \text{area at top section}$

Dry Ponds Use $H = \text{Height of Section}$, $A1 = \text{pond bottom area}$, $A2 = \text{area at top section}$

Outlet Sketch



PROFILE VIEW
N.T.S.



FRONT VIEW
N.T.S.

Place Photograph of Pond or Attach to Document

Place Photograph of Pond or Attach to Document

Attach As-built Survey to the Document for the first report submission

Inspection Firm: JSD Professional Services, Inc Inspector Name : Ryder Fischer
 Phone Number: (262) 513-0666 Inspection Date: 7/8/2015
 Address: N22 W22931 Nancys Ct.
Suite 3
Waukesha, WI 53186

Certifying Professional Name: Rizal Iskandarsjach P.L.S., P.E.
 Phone Number: (262) 513-0666



Date:
7/10/15

Signature:
Rizal Iskandarsjach



Figure 1: Overview of Pond, Looking to the South

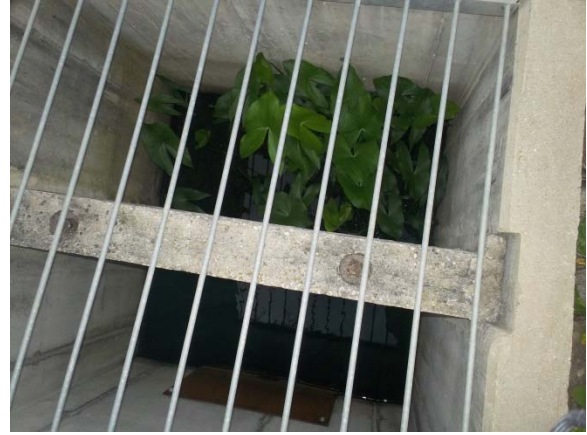


Figure 4: Top View of Outlet Structure (Note: Tree Growth in the Interior of the Structure)



Figure 2: Overview of Pond, Looking to the North



Figure 5: Overview of Outfall Located on the North Portion of the Pond



Figure 3: Overview of the Outlet Structure located in the Southeast Portion of the Pond, Looking to the Southeast



Figure 6: Outfall for the Pond Structure, Located Southeast of the Pond