



Village of Menomonee Falls
 W156 N8480 Pilgrim Road
 Menomonee Falls, WI 53051-3140
 Telephone: (262) 532-4200

STORMWATER MANAGEMENT FACILITIES OPERATION AND INSPECTION REPORT

Quarter Section NW 1/4 Sec Name of Business/Subdivision Pilgrim Glen Condominium Plat
 Property Tax ID Number 23-8-20 Addendum No. 2
0090-996-066
 thru
0090-996-125 Address of Property Macallan Court
 Date 7/8/2015

Dry Pond	
Wet Pond	X
Other	

Location of Pond SE Quadrant of Property

Pond ID: SWP23N003

Year Pond Constructed 2008 Year of Last Certification 2010

Compliance Verification	Design	Actual	Compliant		Comments (Condition of Structure)
			Yes	No	
Primary Outlet Pipe					Outlet Pipe Material
Opening Diameter (inches)	12"	12'			Reinforced Concrete Pipe
Upstream Invert	825.00	825.45			
Downstream Invert	824.49	824.23			
Length (feet)	51.0	28.25			
Slope	0.010 '/'	0.043'/'			
Secondary Outlet Pipe (If Applicable)					
Opening Diameter (inches)	_____	_____			
Upstream Invert	_____	_____			
Downstream Invert	_____	_____			
Length (feet)	_____	_____			
Slope (%)	_____	_____			
Riser (If Applicable)					
Opening Diameter (inches)	_____	_____			
Elevation	_____	_____			
Upper Discharge Control (If Applicable)					
Opening Diameter (inches)	_____	_____			
Elevation	_____	_____			

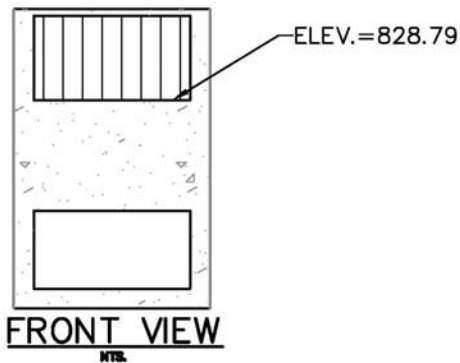
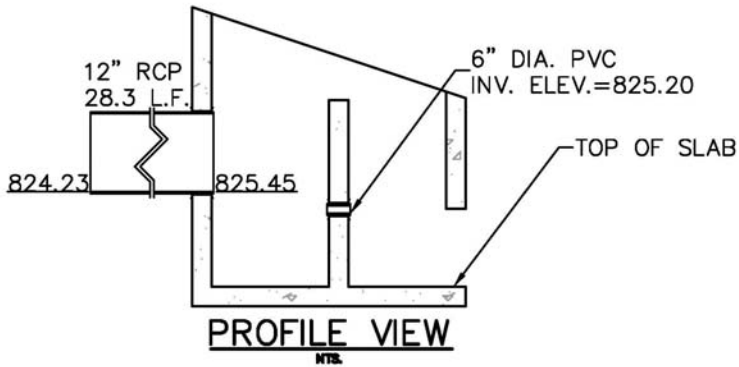
Compliance Verification	Design	Actual	Compliant		Comments	
			Yes	No		
Lower Discharge Control	(If Applicable)					
Opening Diameter (inches)	_____	_____				
Elevation	_____	_____				
Other (Description)						
Opening Type and Size (inches)	6" DIA.	6" DIA			Vertical Orifice	
Elevation	825.00	825.20				
Emergency Spillway						
Elevation	828.50	828.59				
Length of spillway (feet)	20.0'	22.4'				
Embankment	Present Yes no		Comments/Maintenance Requirements			
Unauthorized Plantings, trees, or woody vegetation			Some vegetative growth around outlet structure. Recommend clearing for full function.			
Animal burrows or slope erosion						
Storm Sewer Outfalls	Type & Size		Location		Comments	
Outfall 1	RCP 18"		West Portion of Pond			
Outfall 2	RCP 12"		Northwest Portion of Pond			
Outfall 3	RCP 12"		North Portion of Pond			
Storage Properties	Design	Actual	Compliant Yes No		Not Applicable	Equipment Used
Normal Water Elevation (Wet Ponds)	825.00	825.20				Trimble R6 GPS
Design High Water Elevation	828.52	828.92				
Area at Normal Water Elevation (Ac) (Wet Ponds)	0.530	0.540				Area at HWL Calculated by HydroCAD
Area at Design High Water Elevation (Ac)	1.020	1.024				
Active Storage Available (Ac-Ft)*	2.667	1.678				
Lowest Elevation at Top of Embankment (If Applicable)	829.50	828.60				
Average Elevation at Top of Embankment (If Applicable)	829.50	829.70				
Maximum Bottom Elevation	820.00	819.05				Lowest Bottom Elevation
Average Pond Bottom Elevation	820.00	820.00				
Pond Bottom Area (Ac)	0.223	0.190				
Maximum Pond Depth	5.0'	5.5'				
Average Pond Depth	5.0'	5.2'				
Average Permanent Pool Depth (Wet Ponds)	5.0'	5.2'				

*To Determine Active Storage $V=H/3(A1+A2+(A1 \times A2)^{1/2})$

Wet Ponds Use $H = \text{Height of Section}$, $A1 = \text{area at normal water elevation}$, $A2 = \text{area at top section}$

Dry Ponds Use $H = \text{Height of Section}$, $A1 = \text{pond bottom area}$, $A2 = \text{area at top section}$

Outlet Sketch



See Attached Photo Document

See Attached Photo Document

Attach As-built Survey to the Document for the first report submission

Inspection Firm: JSD Professional Services, Inc Inspector Name : Ryder Fischer
 Phone Number: (262) 513-0666 Inspection Date: 7/8/2015
 Address: N22 W22931 Nancys Ct.
Suite 3
Waukesha, WI 53186

Certifying
 Professional Name: Rizal Iskandarsjach P.L.S., P.E.
 Phone Number: (262) 513-0666



Date:
 7/10/15

Signature:



Figure 1: Overview of Pond, Looking East



Figure 4: Overview of Outlet Structure located on the Southeast Portion of Pond, Looking East



Figure 2: Overview of Pond, Looking West



Figure 5: Overview of the two Outfalls on the West Portion of the Pond



Figure 3: Overview of the Emergency Spillway, Looking East

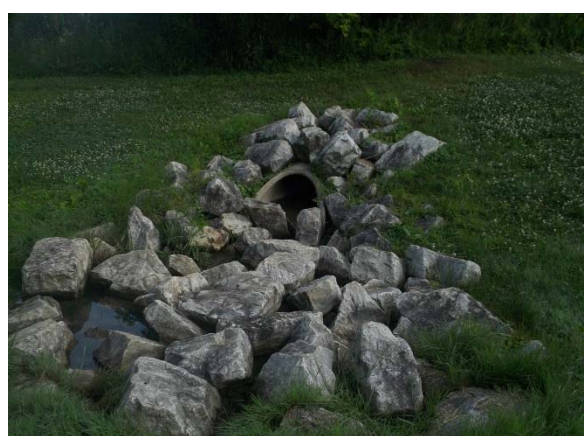


Figure 6: Overview of the Outfall Structure on the North Portion of the Pond