



Village of Menomonee Falls
 W156 N8480 Pilgrim Road
 Menomonee Falls, WI 53051-3140
 Telephone: (262) 532-4200

STORMWATER MANAGEMENT FACILITIES OPERATION AND INSPECTION REPORT

Quarter Section NW 1/4 Sec 23-8-20 Name of Business/Subdivision Pilgrim Glen Condominium Plat Addendum No. 2
 Property Tax ID Number 0090-996-066
 thru 0090-996-125 Address of Property Macallan Court
 Date 6/25/15

Dry Pond	
Wet Pond	X
Other	

Location of Pond
NE Quadrant of Property

Pond ID: SWP23N002

Year Pond Constructed 2008 Year of Last Certification 2010

Compliance Verification	Design	Actual	Compliant		Comments (Condition of Structure)
			Yes	No	
Primary Outlet Pipe			Outlet Pipe Material		
Opening Diameter (inches)	12"	12"			Reinforced Concrete Pipe
Upstream Invert	822.00	822.17			
Downstream Invert	821.50	821.12			
Length (feet)	50.0'	33.3"			
Slope	0.010 '/'	0.032 '/'			
Secondary Outlet Pipe			Outlet Pipe Material		
(If Applicable)					
Opening Diameter (inches)	_____	_____			
Upstream Invert	_____	_____			
Downstream Invert	_____	_____			
Length (feet)	_____	_____			
Slope (%)	_____	_____			
Riser			Riser Material		
(If Applicable)					
Opening Diameter (inches)	_____	_____			
Elevation	_____	_____			
Upper Discharge Control			Upper Discharge Control Material		
(If Applicable)					
Opening Diameter (inches)	_____	_____			
Elevation	_____	_____			

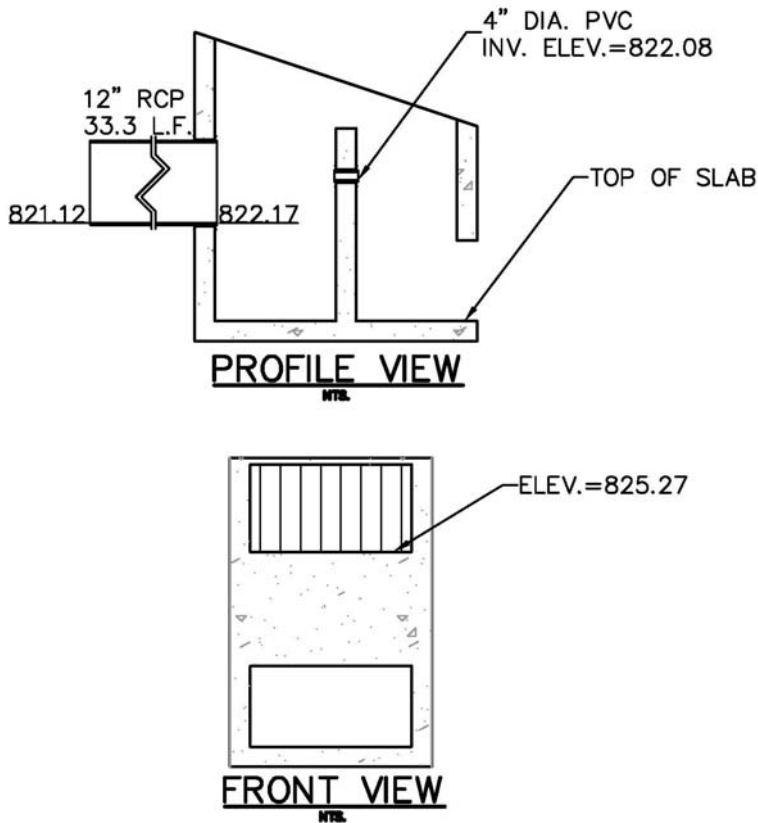
Compliance Verification	Design	Actual	Compliant Yes No		Comments	
Lower Discharge Control	(If Applicable)					
Opening Diameter (inches)	_____	_____				
Elevation	_____	_____				
Other (Description)						
Opening Type and Size (inches)	4" DIA.	4" DIA			Vertical Orifice	
Elevation	822.00	822.08				
Emergency Spillway						
Elevation	826.50	826.06				
Length of spillway (feet)	20.0'	22.3'				
Embankment	Present Yes No		Comments/Maintenance Requirements			
Unauthorized Plantings, trees, or woody vegetation			Some vegetative growth around outlet structure. Recommend clearing for full function.			
Animal burrows or slope erosion						
Storm Sewer Outfalls	Type & Size		Location		Comments	
Outfall 1	RCP 15"		South Portion of Pond			
Outfall 2	RCP 15"		Southeast Portion of Pond			
Outfall 3	RCP 15"		East Portion of Pond			
Storage Properties	Design	Actual	Compliant Yes No		Not Applicable	Equipment Used
Normal Water Elevation (Wet Ponds)	822.00	822.08				Trimble R6 GPS HWL Calculated by HydroCAD
Design High Water Elevation	824.91	825.30				
Area at Normal Water Elevation (Ac) (Wet Ponds)	0.450	0.413				Area at HWL Calculated by HydroCAD
Area at Design High Water Elevation (Ac)	0.712	0.689				
Active Storage Available (Ac-Ft)*	1.707	2.307				
Lowest Elevation at Top of Embankment (If Applicable)	827.50	826.06				
Average Elevation at Top of Embankment (If Applicable)	827.50	828.07				
Maximum Bottom Elevation	818.00	817.37				Lowest Bottom Elevation
Average Pond Bottom Elevation	818.00	818.00				
Pond Bottom Area (Ac)	0.183	0.158				
Maximum Pond Depth	4.0'	4.77'				
Average Pond Depth	4.0'	4.14'				
Average Permanent Pool Depth (Wet Ponds)	4.0'	4.14'				

*To Determine Active Storage $V=H/3(A1+A2+(A1 \times A2)^{1/2})$

Wet Ponds Use $H = \text{Height of Section}$, $A1 = \text{area at normal water elevation}$, $A2 = \text{area at top section}$

Dry Ponds Use $H = \text{Height of Section}$, $A1 = \text{pond bottom area}$, $A2 = \text{area at top section}$

Sketch Outlet or Attach to Document



See Attached Photo Document

See Attached Photo Document

Attach As-built Survey to the Document for the first report submission

Inspection Firm: JSD Professional Services, Inc Inspector Name : Ryder Fischer
Phone Number: (262) 513-0666 Inspection Date: 6/25/2015
Address: N22 W22931 Nancys Ct.
Suite 3
Waukesha, WI 53186

Certifying
Professional Name: Rizal Iskandarsjach P.L.S., P.E.
Phone Number: (262) 513-0666



Date:
7/10/15

Signature:
Rizal Iskandarsjach



Figure 1: Overview of Pond Looking East



Figure 4: Overview of the East Portion of the Pond Looking Northeast



Figure 2: Overview of the West Portion of the Pond Looking Northwest



Figure 5: Photo from Center of Pond Looking East



Figure 3: Photo of Outlet Structure Located on the Northeast Portion of the Pond



Figure 6: Photo from Center of Pond Looking West