



Village of Menomonee Falls  
 W156 N8480 Pilgrim Road  
 Menomonee Falls, WI 53051-3140  
 Telephone: (262) 532-4200

STORMWATER MANAGEMENT FACILITIES  
 OPERATION AND INSPECTION REPORT

Quarter Section S9, T8N, R20E Name of Business/Subdivision Menomonee Falls MOB  
 Property Tax ID Number \_\_\_\_\_ Address of Property \_\_\_\_\_

Dry Pond	
Wet Pond	X
Other	

Location Of Pond Northeast corner of project site  
 Description: \_\_\_\_\_

Year Pond Constructed 2010 Year of Last Certification 2010

Compliance Verification	Design	Actual	Compliant		Comments (Condition of Structure)
			Yes	No	
<b>Primary Outlet Pipe</b>					
Opening Diameter	12" RCP	12" RCP	X		
Upstream Invert	871.50	871.5	X		
Downstream Invert	869.00	869.3	X		
Length	41 ft	42 ft	X		
Slope	0.061	0.053	X		
<b>Secondary Outlet Pipe</b> (If Applicable)					
Opening Diameter					
Upstream Invert					
Downstream Invert					
Length					
Slope					
<b>Riser</b> (If Applicable)					
Opening Diameter	N/A	N/A			Structure located at top of berm. Riser opening is not a flow control device.
Elevation	878.00	877.8	X		
<b>Upper Discharge Control</b> (If Applicable)					
Opening Diameter	9"	9"	X		
Elevation	873.50	873.4	X		

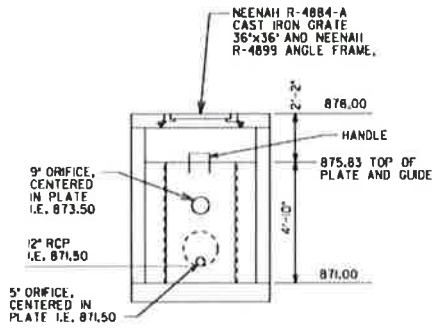
Compliance Verification	Design	Actual	Compliant		Comments	
			Yes	No		
<b>Lower Discharge Control</b>	(If Applicable)					
Opening Diameter	5"	5"	X			
Elevation	871.50	871.4	X			
<b>Other (Description)</b>						
Opening Type						
Elevation						
<b>Emergency Spillway</b>						
Elevation	876.00	876.0	X			
Length of spillway	15 ft	15 ft	X			
<b>Embankment</b>			Present			
			Yes	No		
Unauthorized plantings, trees, or woody vegetation				X		
Animal burrows or slope erosion				X		
<b>Storage Properties</b>	Design	Actual	Compliant		Points Surveyed	Equipment Used
	Yes	No				
Normal Water Elevation <i>(Wet Ponds)</i>	871.50	871.50	X			
Design High Water Elevation	875.78	875.7	X			
Area at Normal Water Elevation (Ac) (Wet Ponds)	0.60	0.63	X			
Area at Design High Water Elevation (Ac)	0.87	0.89	X			
Active Storage Available (Ac-Ft)*	3.11	3.2	X			
Lowest Elevation at Top of Embankment (If Applicable)	878.00	878.0	X			Survey shots on top of embankment were performed prior to placement of topsoil.
Average Elevation at Top of Embankment (If Applicable)	878.00	878.0	X			
Maximum Bottom Elevation	866.00	865.5	X			
Average Pond Bottom Elevation	866.00	865.5	X			at Elevation 866 area equals ~ 0.27 acres
Pond Bottom Area (Ac)	0.24	0.17	X			
Maximum Pond Depth	5.5 ft	6.0 ft	X			
Average Pond Depth	5.5 ft	6.0 ft	X			

\*To Determine Active Storage  $V=H/3(A1+A2+(A1 \times A2)^{1/2})$

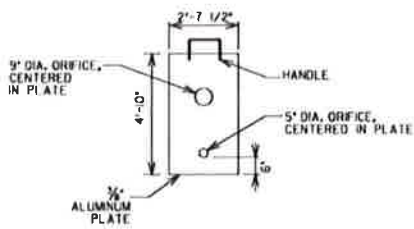
Wet Ponds Use  $H$  = Height of Section ,  $A1$  = area at normal water elevation,  $A2$  = area at top section

Dry Ponds Use  $H$  = Height of Section,  $A1$  = pond bottom area,  $A2$  = area at top section

Sketch Outlet



**SECTION B-B**



**ALUMINUM PLATE**

**OUTLET STRUCTURE**

N.T.S.



Inspection Firm: GRAEF

Phone Number: 414-259-1500

Address: 125 S. 84th Street, Suite 401  
Milwaukee, WI 53214

Inspector Name : Dan Knapp, P.E.

Inspection Date: 12/1/2010

Certifying  
Professional Name: Jayme Sisel, P.E.

Phone Number: 414-266-9235



Date: 12/1/2010

Signature: Jayme Sisel