

lec 8-19-11



Village of Menomonee Falls
 W156 N8480 Pilgrim Road
 Menomonee Falls, WI 53051-3140
 Telephone: (262) 532-4200

STORMWATER MANAGEMENT FACILITIES
 OPERATION AND INSPECTION REPORT

Quarter Section SW 1/4 Sec. 13 Name of Business/Subdivision Saint Anthony Congregation
 Property Tax ID Number MNFV0051995 Address of Property N74W13604 Appleton Ave.
Menomonee Falls, WI

Dry Pond	<input checked="" type="checkbox"/>
Wet Pond	<input type="checkbox"/>
Other	<input type="checkbox"/>

Description: ID# SWP13s003 Location Of Pond Northwest Corner of the site

Year Pond Constructed 2005 Year of Last Certification N/A

Compliance Verification	Design	Actual	Compliant		Comments (Condition of Structure)
			Yes	No	
Primary Outlet Pipe					
Opening Diameter	12"	12"	X		
Upstream Invert	783.00	783.64	X		
Downstream Invert	781.00	781.80	X		
Length	89'	78'	X		
Slope	2.25%	2.36%	X		
Secondary Outlet Pipe (If Applicable)					
Opening Diameter	N/A				
Upstream Invert					
Downstream Invert					
Length					
Slope					
Riser (If Applicable)					
Opening Diameter		24"			
Elevation		786.35			
Upper Discharge Control (If Applicable)					
Opening Diameter		4"			
Elevation		784.72			

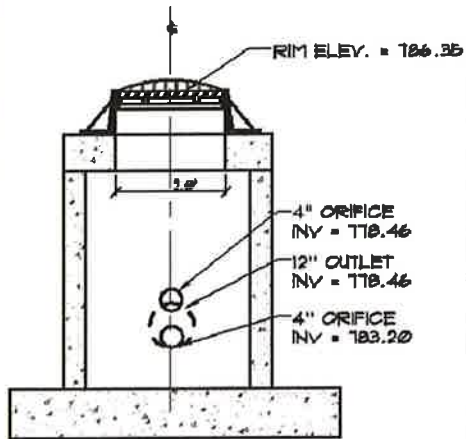
Compliance Verification	Design	Actual	Compliant		Comments	
			Ycs	No		
Lower Discharge Control	(If Applicable)					
Opening Diameter		4"				
Elevation		783.20				
Other (Description)						
Opening Type	N/A					
Elevation						
Emergency Spillway						
Elevation	785.60	785.91	X			
Length of spillway	14'	14'	X			
Embankment			Present			
			Yes	No		
Unauthorized plantings, trees, or woody vegetation				X		
Animal burrows or slope erosion				X		
Storage Properties	Design	Actual	Compliant		Points Surveyed	Equipment Used
			Yes	No		
Normal Water Elevation (Wet Ponds)	N/A				See Plan	Total Station (typ)
Design High Water Elevation						
Area at Normal Water Elevation (Ac) (Wet Ponds)	N/A					
Area at Design High Water Elevation (Ac)		0.096				*Area at 785.91
Active Storage Available (Ac-Ft)*		0.118				
Lowest Elevation at Top of Embankment (If Applicable)		786.22				
Average Elevation at Top of Embankment (If Applicable)		786.50				
Maximum Bottom Elevation		783.08				
Average Pond Bottom Elevation		783.50				
Pond Bottom Area (Ac)		0.049				
Maximum Pond Depth		N/A				
Average Pond Depth		N/A				

*To Determine Active Storage $V=H/3(A1+A2+(A1 \times A2)^{1/2})$

Wet Ponds Use $H =$ Height of Section, $A1 =$ area at normal water elevation, $A2 =$ area at top section

Dry Ponds Use $H =$ Height of Section, $A1 =$ pond bottom area, $A2 =$ area at top section

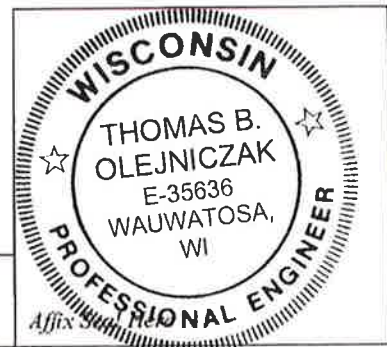
Sketch Outlet



Inspection Firm: Harwood Engineering
Phone Number: (414) 475-5554
Address: 255 North 21st Street
Milwaukee, WI 53233

Inspector Name : Brad Seubert
Inspection Date: 08/15/2011

Certifying
Professional Name: Thomas B. Olejniczak
Phone Number: (414) 475-5554



Date:
2011-08-19

Signature:

Rec 8
19-11



Village of Menomonee Falls
W156 N8480 Pilgrim Road
Menomonee Falls, WI 53051-3140
Telephone: (262) 532-4200

STORMWATER MANAGEMENT FACILITIES
OPERATION AND INSPECTION REPORT

Quarter Section SW 1/4 Sec. 13 Name of Business/Subdivision Saint Anthony Congregation
Property Tax ID Number MNFV0051995 Address of Property N74W13604 Appleton Ave.
Menomonee Falls, WI

Dry Pond	
Wet Pond	X
Other	

Location Of Pond Northwest Corner of the site

Description: ID# SWP13s004

Year Pond Constructed 2005

Year of Last Certification N/A for 2010

Compliance Verification	Design	Actual	Compliant		Comments (Condition of Structure)
			Yes	No	
Primary Outlet Pipe					
Opening Diameter		12"			
Upstream Invert		778.46			
Downstream Invert	777.00	777.39	X		
Length	23'	20'	X		
Slope	4.35%	5.35%	X		
Secondary Outlet Pipe (If Applicable)					
Opening Diameter	N/A				
Upstream Invert					
Downstream Invert					
Length					
Slope					
Riser (If Applicable)					
Opening Diameter		24"			
Elevation		782.82			
Upper Discharge Control (If Applicable)					
Opening Diameter		4"			
Elevation		779.45			

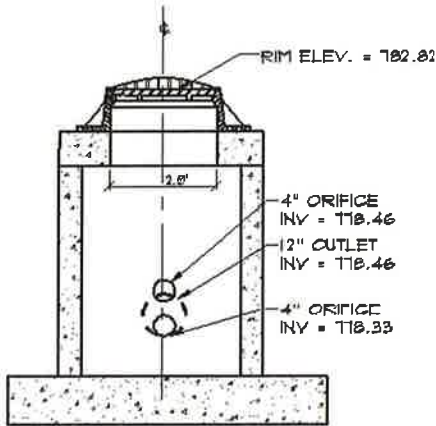
Compliance Verification	Design	Actual	Compliant		Comments	
			Yes	No		
Lower Discharge Control	(If Applicable)					
Opening Diameter		4"				
Elevation		778.33				
Other (Description)						
Opening Type	N/A					
Elevation						
Emergency Spillway						
Elevation	781.60	781.34	X			
Length of spillway	10'	10'	X			
Embankment			Present			
			Yes	No		
Unauthorized plantings, trees, or woody vegetation				X		
Animal burrows or slope erosion				X		
Storage Properties	Design	Actual	Compliant		Points Surveyed	Equipment Used
	Yes	No				
Normal Water Elevation (Wet Ponds)	778.00	778.00			See Plan	Total Station (typ)
Design High Water Elevation						
Area at Normal Water Elevation (Ac) (Wet Ponds)		0.052				
Area at Design High Water Elevation (Ac)						
Active Storage Available (Ac-Ft)*		0.778				
Lowest Elevation at Top of Embankment (If Applicable)		782.29				
Average Elevation at Top of Embankment (If Applicable)		782.50				
Maximum Bottom Elevation		776.52				
Average Pond Bottom Elevation		777.00				
Pond Bottom Area (Ac)		0.006				
Maximum Pond Depth		1.94'				
Average Pond Depth		1.46'				

*To Determine Active Storage $V=H/3(A1+A2+(A1 \times A2)^{1/2})$

Wet Ponds Use $H = \text{Height of Section}$, $A1 = \text{area at normal water elevation}$, $A2 = \text{area at top section}$

Dry Ponds Use $H = \text{Height of Section}$, $A1 = \text{pond bottom area}$, $A2 = \text{area at top section}$

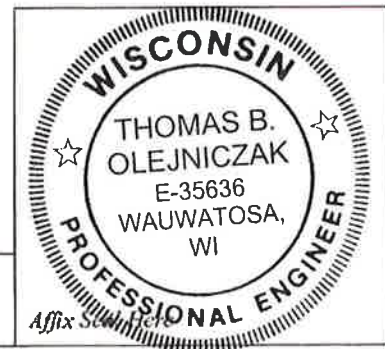
Sketch Outlet



Inspection Firm: Harwood Engineering
Phone Number: (414) 475-5554
Address: 255 North 21st Street
Milwaukee, WI 53233

Inspector Name : Brad Seubert
Inspection Date: 08/15/2011

Certifying
Professional Name: Thomas B. Olejniczak
Phone Number: (414) 475-5554



Date: 2011-08-19
Signature: *Brad Seubert*