



During the course of the year 2011, the Menomonee Falls Water Utility purchased 1,064,047,253 surface water gallons from the City of Milwaukee. 662,000 ground water gallons were blended in for a total of 1,064,709,253 gallons of water to the customers in this zone. The result is a blend of less than one percent ground water and approximately ninety-nine percent Milwaukee surface water. This blending was performed in part to exercise and maintain our deep wells on a routine basis. Because of this blending process, we are required to inform our customers of the Water Utility's water quality testing results for the year 2011. Listed below are the test results for Menomonee Falls Municipal well water during the year 2011.

**Disinfection Byproducts**

Contaminant (Units)	MCL	MCLG	Level Found	Range	Sample Date (if prior to 2011)	Violation	Typical Source of Contaminant
HAA5 (ppb)	60	60	2	1-4		No	
TTHM (ppb)	80	0	7.9	3.9-10.3		No	By-product of drinking water chlorination

**Inorganic Contaminants**

Contaminant (Units)	MCL	MCLG	Level Found	Range	Sample Date (if prior to 2011)	Violation	Typical Source of Contaminant
Copper (ppm)	AL=1.3	1.3	.13	0 of 30 results were above the action level.		No	Corrosion of household plumbing systems; Erosion of natural deposits; Leaching from wood preservatives
Lead (ppb)	AL=15	0	5.80	1 of 30 results were above the action level.		*	Corrosion of household plumbing systems; Erosion of natural deposits

\*Systems exceeding a lead and/or copper action level must take actions to reduce lead and/or copper in the drinking water. The lead and copper values represent the 90<sup>th</sup> percentile of all compliance samples collected. If you want information on the number of sites or the actions taken to reduce these levels, please contact your water supply operator.

**Radioactive Contaminants**

Contaminant (Units)	MCL	MCLG	Level Found	Range	Sample Date (if prior to 2011)	Violation	Typical Source of Contaminant
Combined Uranium (ug/l)	30	0	0.4	0.4 - 0.4	6/10/2008	No	Erosion of natural deposits
Gross Alpha, Excl. R & U (pCi/l)	15	0	13.6	nd - 13.6	6/18/2008	No	Erosion of natural deposits
Radium, (226 + 228) (pCi/l)	5	0	4.0	1.4 - 4.0	6/10/2008	No	Erosion of natural deposits

**Unregulated Contaminants**

Contaminant (Units)	MCL	MCLG	Level Found	Range	Sample Date (if prior to 2011)	Violation	Typical Source of Contaminant
Bromochloromethane (ppb)	n/a	n/a	.62	.62	9/8/2010	No	n/a
Bromodichloromethane (ppb)	n/a	n/a	2.88	1.40-3.80		No	n/a
Bromoform (ppb)	n/a	n/a	.16	Nd-.31		No	n/a
Chloroform (ppb)	n/a	n/a	2.99	.94-4.70		No	n/a
Chloromethane (Methylchloride) (ppb)	n/a	n/a	.25	.14-.25		No	n/a
Dibromochloromethane	n/a	n/a	1.88	1.20-2.20		No	n/a

**Cross Connection Control Program**

Wisconsin DNR – NR Code # 810-15 requires municipal water suppliers have a cross connection control program in place. The program includes providing public education materials as well as conducting a cross connection survey for every residential service a minimum of once every ten years or on a schedule matching meter replacements.

A cross connection survey is to be conducted for every industrial, commercial and public authority service a minimum of once every two years. In order to comply with the Public Service Commission and the Wisconsin DNR, it will be necessary at the time of your next water meter replacement to perform a cross connection survey of the property.

**Did you know...**

Your water can become contaminated if connections to your plumbing system are not properly protected!

The purpose of the local Cross-Connection Control Program, as required by State Plumbing Code and Regulations, is to ensure that everyone in the community has safe, clean drinking water.

**Public Health & Safety...**

To avoid contamination, backflow preventers are required by state plumbing codes wherever there is an actual or potential hazard for a cross-connection. The Wisconsin Department of Natural Resources requires all public water suppliers to maintain an on-going Cross Connection Control Program involving public education, onsite inspections, and possible corrective actions by building owners if required.

## What is a Cross-Connection?

A cross-connection is an actual or potential connection between the safe drinking water (potable) supply and a source of contamination or pollution. State plumbing codes require approved backflow prevention methods to be installed at every point of potable water connection and use. Cross-Connections must be properly protected or eliminated.

## How does contamination occur?

When you turn on your faucet, you expect the water to be as safe as when it left the treatment plant. However, certain hydraulic conditions left unprotected within your plumbing system may allow hazardous substances to contaminate your own drinking water or even the public water supply.

Water normally flows in one direction. However, under certain conditions, water can actually flow backwards; this is known as Backflow. There are two situations that can cause water to flow backward: back siphonage and backpressure.

## Backsiphonage

May occur due to a loss of pressure in the municipal water system during a fire fighting emergency, a water main break or system repair. This creates a siphon in your plumbing system which can draw water out of a sink or bucket and back into your water or the public water system.

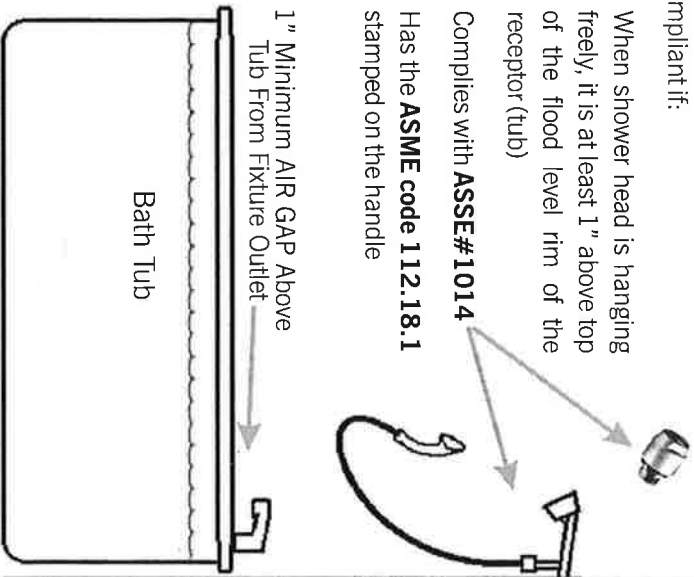
## Backpressure

May be created when a source of pressure (such as a boiler) creates a pressure greater than the pressure supplied from the public water system. This may cause contaminated water to be pushed into your plumbing system through an unprotected cross-connection.

## In the Bathroom - Hand Held Shower Fixture

The hand held shower fixture is compliant if:

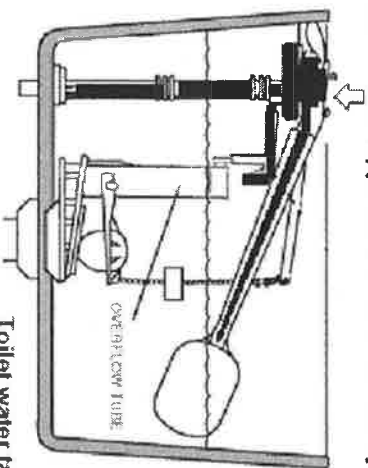
- When shower head is hanging freely, it is at least 1" above top of the flood level rim of the receptor (tub)
- Complies with **ASSE#1014**
- Has the **ASME code 112.18.1** stamped on the handle



## In the Bathroom - Toilet Tanks

There are many unapproved toilet tank fill valve products sold at common retailers which do not meet the state plumbing code requirements for backflow prevention.

- Look for the **ASSE #1002** Standard symbol on the device and packaging
- Replace any unapproved devices with an **ASSE #1002** approved anti siphon ball-cock assembly. Average cost is typically \$12 to \$22 at home improvement stores
- Verify overflow tube is one inch below critical level (CL) marking on the device



Toilet water tank

## Insights to protect your drinking water

### Do...

- Keep the ends of hoses clear of all possible contaminants.
- Make sure dishwashers are installed with a proper "air gap" device.
- Verify and install a simple hose bibb vacuum breaker on all threaded faucets around your home.
- Make sure water treatment devices such as water softeners have the proper "air gap", which is a minimum of one inch above any drain.

### Hose bibb Vacuum Breaker

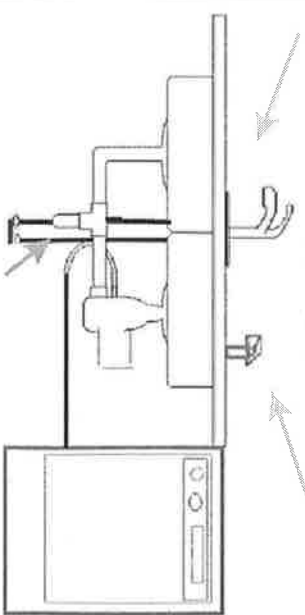


### Don't...

- Submerge hoses in buckets, pools, tubs, sinks or ponds.
- Use spray attachments without a backflow prevention device.
- Connect waste pipes from water softeners or other treatment systems directly to the sewer or submerged drain pipe. Always be sure there is a one inch "air gap" separation.



## In the Kitchen



Hoses and water treatment devices may create a potential backflow hazard if not properly isolated with backflow prevention methods.