

002098 NOV 9 8

NE - 100 4 JBL 26

3434640



WC3434640-008

STORMWATER FACILITIES
OPERATIONS, INSPECTION &
MAINTENANCE AGREEMENT

REGISTER'S OFFICE
WAUKESHA COUNTY, WI
RECORDED ON

11-09-2006 3:50 PM

MICHAEL J. HASSLINGER
REGISTER OF DEEDS

REC. FEE: 18.00
REC. FEE-CO: 5.00
REC. FEE-ST: 2.00
TRAN. FEE:
TRAN. FEE-STATE:
PAGES: 8

DOCUMENT NO.

DOCUMENT TITLE

Recording Data

Return to:

Village of Menomonee Falls
Engineering Services
W156 N8480 Pilgrim Road
Menomonee Falls, WI 53051

*Rec
258
MNFV*

Super Excavators, Inc.

Part of Tax Key No. MNFV 101.033

STORMWATER FACILITIES OPERATION, INSPECTION, & MAINTENANCE AGREEMENT

Village of Menomonee Falls

THIS AGREEMENT is between Super Excavators INC. (the "Property Owner"), and the Village of Menomonee Falls, (the "Village"). It is based upon the following:

- A. The Property Owner is the owner of certain real property (the "Property") located in the Village of Menomonee Falls, and which is further described as follows: Lot 7 of Block 3 in Bowling Green Industrial Park, Being a Subdivision in the Northeast ¼ and Southeast ¼ of Section 26 Township 8 North Range 20 East in the Village of Menomonee Falls, Waukesha County, Wisconsin as recorded by deed in the land records of Waukesha County, Reel 766, Image 789, Document Number 2716807, 2716812, 2716813, 276814, 2716815, 2716817, 2716818, & 2716821, as shown in Exhibit "A"
- B. The Property Owner intends to develop the Property pursuant to a Site Plan approved by the Village and known as (the "Plan") as shown in Exhibit "B"
- C. The health, safety, and welfare of the residents of Menomonee Falls, Wisconsin, require that on-site Stormwater Management Facilities be provided on the Property.
- D. The Plan provides for the construction of any detention basin, retention basin, outlet structures, inlet structures, storm sewer, underground storage facility, swales, berms or any structure and grading associated with stormwater management (the "Stormwater Management Facilities") within the confines of the Property.
- E. The Village requires that on-site Stormwater Management Facilities as shown on the Plan be constructed, operated and adequately maintained by the Property Owner.

NOW, THEREFORE, based on the above, the parties agree as follows:

1. The on-site Stormwater Management Facilities shall comply with the policy outlined in the Village "Stormwater Management Guidelines", and shall be constructed by the Property Owner in compliance with Village approved plans and specifications identified in the Plan.
2. Upon completion of the project, the Property Owner shall supply the Village with complete set of construction as-built drawings, and in AutoCAD format (*.DWG) on computer disk or CD of the Stormwater Management Facilities within thirty (30) days of completion of the project. The as-built plan will be used by the Village to determine if the Stormwater Management Facilities are constructed according to the Village approved plans. The Stormwater Management Facilities will be accepted only after the Village approves the as-built plans.
3. The Property owner shall not construct, place or allow or suffer the construction or placement of structures within the Stormwater Management Facilities that affect the operation of the facilities; or that alter the elevations and slopes from those designed, established and constructed; without the specific written approval of the Village.
4. The Property Owner shall submit a landscape proposal and diagram with vegetation types to the Village prior to planting trees or shrubs in the Stormwater Management Facilities. The Village shall have the right to determine which species of trees and shrubs are appropriate for planting within the Stormwater Management Facilities. The Property Owner shall not plant shrubs or trees in the Stormwater Management Facilities unless approved by the Village.
5. The Property Owner shall adequately maintain the Stormwater Management Facilities. Adequate maintenance is defined as good working condition so that these facilities are performing their design

functions. The Property Owner must inspect the Stormwater Management Facilities within 24 hours of any major rain event.

6. The Property Owner shall hire a licensed professional engineer to inspect the Stormwater Management Facilities every (5) five years and submit an inspection report to the Village as proof of compliance. The Village approved Inspection Report form shall be used to determine the condition of the facilities. The purpose of the inspection is to assure safe and proper functioning of the facilities. The inspection shall cover the entire facility such as berms, outlet structure, pond areas, access roads, etc. The conditions shall be noted in the inspection report.
7. The Property Owner will perform or otherwise be responsible for any work necessary to keep the Stormwater Management Facilities in good working order . This obligation includes making all the necessary repairs and/or improvements to correct damages, both natural and man made; and to resolve any citizen complaints. If deficiencies or damages are noted in the inspection report provided to the Village under ¶6 or if complaints are reported to the Village, the Property Owner has thirty (30) days from the date of the report or complaint to take appropriate measures to correct any deficiencies or damages and respond to citizen complaints.
8. The Property Owner hereby grants permission to the Village, its authorized agents and employees, to enter upon the Property and to inspect the Stormwater Management Facilities whenever the Village deems necessary.
9. If the Property Owner fails to inspect the Stormwater Management Facilities as required, or maintain the Stormwater Management Facilities in good working condition acceptable to the Village and make all the necessary repairs and/or improvements to correct damages, both natural and man made, and to resolve any complaints, the Village, upon thirty (30) days written notice to the Property Owner, may enter upon the Property and take whatever steps necessary to correct deficiencies. In addition, if the Village performs work of any nature, or expends any funds in performance of said work for labor, use of equipment, supplies, materials, and the like, the Village shall be empowered without notice of public hearing, to impose a special charge for the cost of said work upon the Property Owner payable at the next succeeding tax bill.
10. This Agreement imposes no liability of any kind whatsoever on the Village. The Property Owner agrees to hold harmless the Village, its board members, employees, agents, and officers from any costs, damages, loss, claim, suit, liability or award which may arise, come, be brought or incurred or assessed because of the existence of, any action or failure to act with respect to the storm water facilities on the Property or because of any adverse effect upon any person or property related or alleged to be related to the storm water detention basins from any liability if the Stormwater Management Facilities fail to operate properly. The Village shall have the right to defend any such claim and the Property Owner shall reimburse the Village for any and all cost and/or expenses, including but not limited to attorney's fees, which the Village may incur as a result of such claims.
11. This Agreement shall become effective as of the date it is approved by the Village or executed by the Property Owner, whichever is later.
12. By signing below, the person signing on behalf of the Property Owner represents that he has authority to act on behalf of the Property Owner, and has authority to sign this Agreement on the Property Owner's behalf.
13. This Agreement shall be recorded with the Register of Deeds Waukesha County, Wisconsin, and shall constitute a covenant running with the land, and shall be binding on both parties, their successors or assigns.

Exhibit "A"

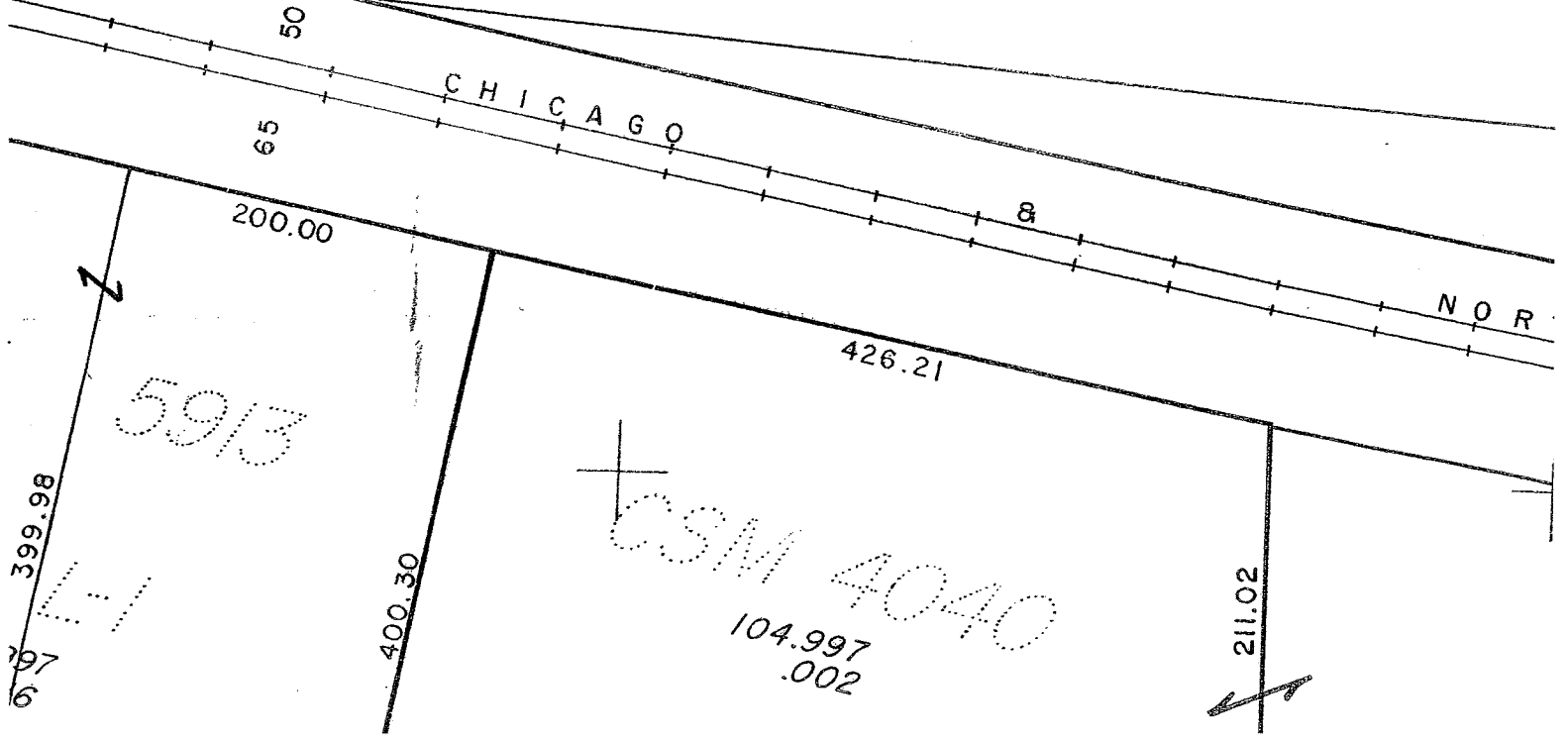
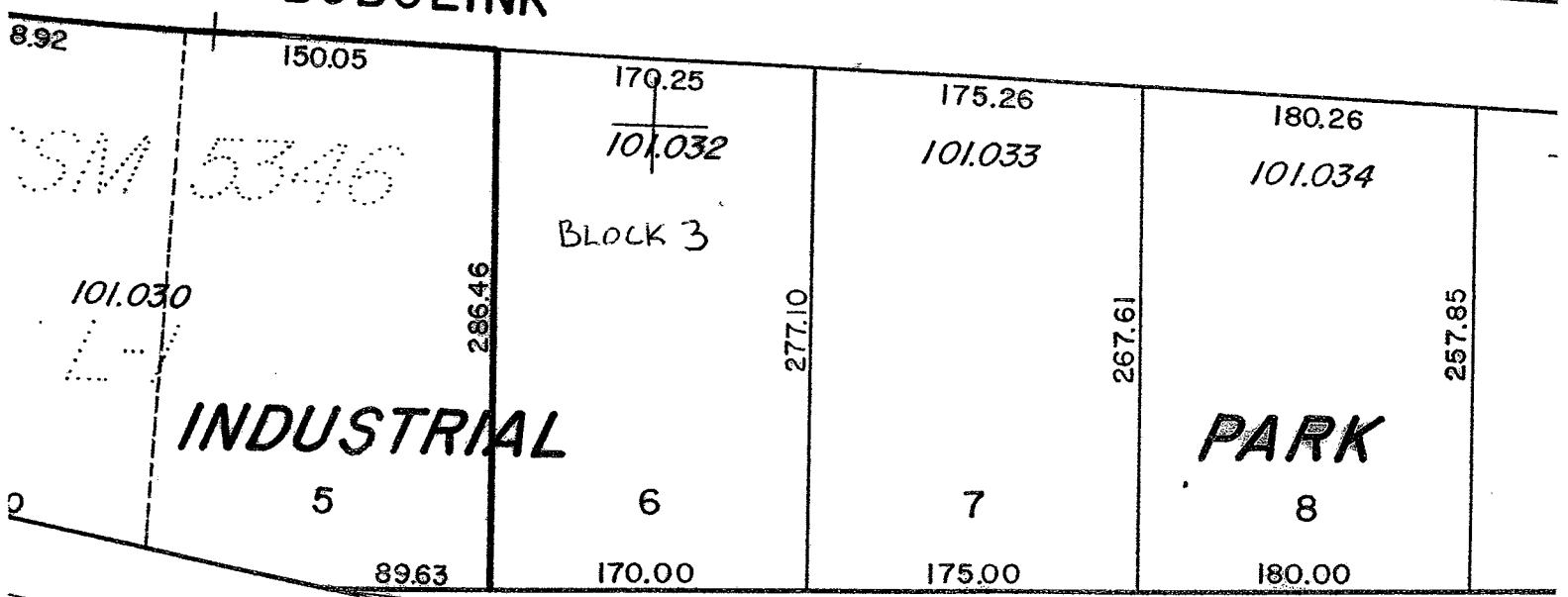
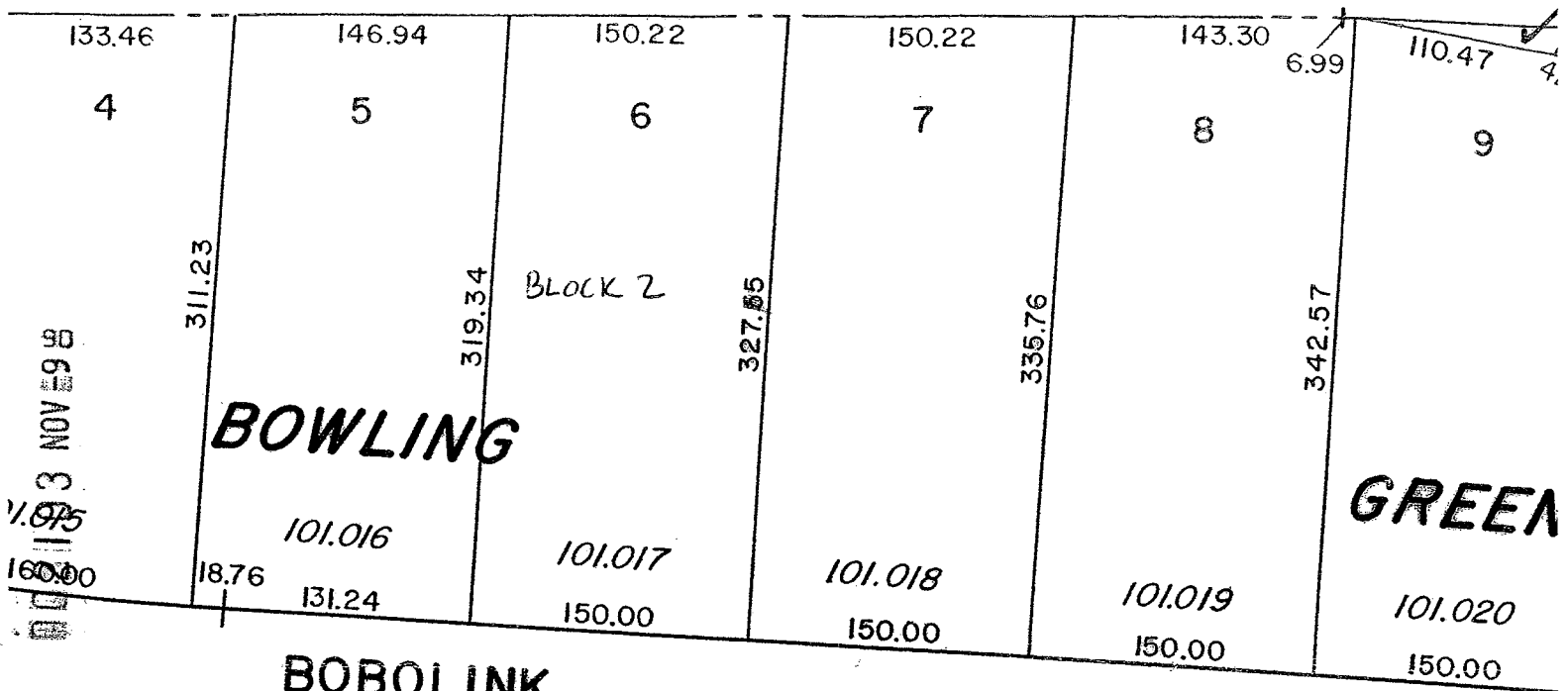


Exhibit "B"

EXISTING 24' PAVEMENT

12" WATER MAIN

779

S 88°31'33" E (PLAT)

10° I.E. 776.50

TWO 24" x 36" C.M.P.A.
W INV 774.96
E INV 774.89

175.25' S 88°29'10" E (ST. PL.)

EXISTING GATE

6" WATER LATERAL

N 01°35'26" W (ST. PL.)

267.61'

PROPOSED BUILDING ADDITION
F.F.E. 783.00
1,750 sq.ft.

EXISTING AND PROPOSED GRAVEL EQUIPMENT STORAGE

ROOF CONDUCTORS SHALL BE CONNECTED TO UNDERGROUND DETENTION SYSTEM BY STORM SEWER

EXISTING BUILDING
F.F.E. 783.00
5,450 sq.ft.

EXIST. BLDG.

S 01°37'49" E (PLAT)
S 01°35'26" E (ST. PL.)

DOWN SPOUT
INV 779.00

ROOF CONDUCTORS SHALL BE CONNECTED TO UNDERGROUND DETENTION SYSTEM BY STORM SEWER

PROPOSED BUILDING ADDITION
F.F.E. 783.00
7,407 sq.ft.

30.0' DRAINAGE EASEMENT

GREEN

INDUSTRIAL

PARK

EXISTING AND PROPOSED GRAVEL EQUIPMENT STORAGE

17' SPUR TRACK EASEMENT

S 88°24'35" W (ST. PL.)

174.99'



Village of Menomonee Falls
W156 N8480 Pilgrim Road
Menomonee Falls, WI 53051-3140
Telephone: (262) 532-4200

November 21, 2006

Super Excavators, Inc.
N59 W14601 Bobolink Ave.
Menomonee Falls, WI 53051

Attn: Steve Schraufnagel

**Re: Stormwater Facilities Operation, Inspection & Maintenance Agreement
Tax Key Nos. 0101.033**

Dear Mr. Schraufnagel,

Please find enclosed a signed copy and the recorded copy of the Stormwater Facilities Operation, Inspection & Maintenance Agreement for the Super Excavators site on Bobolink Avenue for your records. It contains recording information showing proof of recording by the Waukesha County Register of Deeds.

Also, please find enclosed Invoice #ES-043 for the recording fees. Please make your check payable to the **Village of Menomonee Falls**.

Should you have any questions or require additional information, please do not hesitate to contact either Jason Mayer at (262) 532-4419 or myself at (262) 532-4418.

Sincerely,
VILLAGE OF MENOMONEE FALLS

Linda I. Losiniecki

Linda I. Losiniecki
Administrative Assistant III

Enclosures

Cc: Arlyn R. Johnson, Director of Public Works/Engineering
Jason T. Mayer, Associate Civil Engineer
Dave Bate, Financial Services
Easements & Acquisitions File
Vault