



Village of Menomonee Falls
 W156 N8480 Pilgrim Road
 Menomonee Falls, WI 53051-3140
 Telephone: (262) 532-4200

STORMWATER MANAGEMENT FACILITIES OPERATION AND INSPECTION REPORT

Quarter Section SE ¼, Sec 9 Name of Business/Subdivision Community Memorial Parking, Froedtert Offices
 Property Tax ID Number _____ Address of Property W180N8000 Town Hall Road
 Date 9/11/2020 Menomonee Falls, WI 53051-4002

Dry Pond	
Wet Pond	X
Other	

Location of Pond NE Corner of the Property

Pond ID: SWP 9s004

Year Pond Constructed 2010 Year of Last Certification 2015

Compliance Verification	Design	Actual	Compliant		Comments (Condition of Structure)
			Yes	No	
Primary Outlet Pipe					Outlet Pipe Material
Opening Diameter (inches)	12" RCP	12" RCP	X		
Upstream Invert	871.50	871.65	X		
Downstream Invert	869.00	869.35	X		
Length (feet)	41	42	X		
Slope (%)	6.1	5.5	X		
Secondary Outlet Pipe (If Applicable)					
Opening Diameter (inches)	N/A				Structure located on berm. Used for access to weir plate, not for flow control.
Upstream Invert					
Downstream Invert					
Length (feet)					
Slope (%)					
Riser (If Applicable)					
Opening Diameter (inches)	N/A				
Elevation	878.00	877.77			
Upper Discharge Control (If Applicable)					
Opening Diameter (inches)	9"	9"	X		
Elevation	873.50	873.29	X		

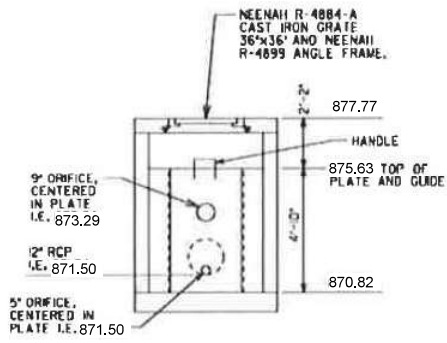
Compliance Verification	Design	Actual	Compliant		Comments	
			Yes	No		
Lower Discharge Control	(If Applicable)					
Opening Diameter (inches)	5"	5"	X			
Elevation	871.50	871.50	X			
Other (Weir Plat)						
Opening Type and Size (inches)	Plate	Plate	X			
Elevation	875.83	875.63	X			
Emergency Spillway						
Elevation	876.00	876.00	X			
Length of spillway (feet)	15	15	X			
Embankment	Present Yes no		Comments/Maintenance Requirements			
Unauthorized Plantings, trees, or woody vegetation	X		Tall grasses and trees growing in side slope.			
Animal burrows or slope erosion		X				
Storm Sewer Outfalls	Type & Size		Location		Comments	
Outfall 1	21" RCP		NW Corner			
Outfall 2	15" RCP		SW Corner			
Outfall 3	15" RCP		SE Corner			
Storage Properties	Design	Actual	Compliant Yes No		Not Applicable	Equipment Used
Normal Water Elevation (Wet Ponds)	871.50	871.65	X			
Design High Water Elevation	875.78	875.70	X			
Area at Normal Water Elevation (Ac) (Wet Ponds)	0.60	0.59	X			
Area at Design High Water Elevation (Ac)	0.87	0.85	X			
Active Storage Available (Ac-Ft)*	3.11	2.92	X			
Lowest Elevation at Top of Embankment (If Applicable)	878.00	877.70	X			
Average Elevation at Top of Embankment (If Applicable)	878.00	877.85	X			
Maximum Bottom Elevation	866.00	864.10	X			
Average Pond Bottom Elevation	866.00	864.70	X			
Pond Bottom Area (Ac)	0.24	0.22	X			
Maximum Pond Depth	5.5'	7.55'	X			
Average Pond Depth	5.5'	7.0'	X			
Average Permanent Pool Depth (Wet Ponds)		3.5'	X			

*To Determine Active Storage $V=H/3(A1+A2+(A1 \times A2)^{1/2})$

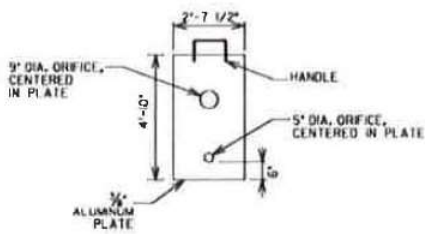
Wet Ponds Use $H = \text{Height of Section}$, $A1 = \text{area at normal water elevation}$, $A2 = \text{area at top section}$

Dry Ponds Use $H = \text{Height of Section}$, $A1 = \text{pond bottom area}$, $A2 = \text{area at top section}$

Sketch Outlet or Attach to Document



SECTION B-B



ALUMINUM PLATE

OUTLET STRUCTURE

N.T.S.



Attach As-built Survey to the Document for the first report submission

Inspection Firm: Quam Engineering, LLC
 Phone Number: 262-346-7800
 Address: 122 Wisconsin Street
West Bend, WI 53095

Inspector Name: Jacob Rosbeck / Jesse Korth
 Inspection Date: 9/11/2020

Certifying Professional
 Name: Jacob Rosbeck
 Phone Number: 262-353-9766



Date:

Signature:

Affix Seal Here